

Section 9-2: Changing Drives

Replacing the Copy Drive on the 6000ST is a simple operation which does not require any tools or technical skills. Once the new drive is installed, no software adjustment is necessary. The system automatically determines the format of the installed drive.

WARNING

You must power down the 6000ST before replacing the Copy Drive. Failure to do so could result in serious damage to your drive.

1. Remove power from the 6000ST.
2. Remove the rear cover by loosening the thumbscrew.

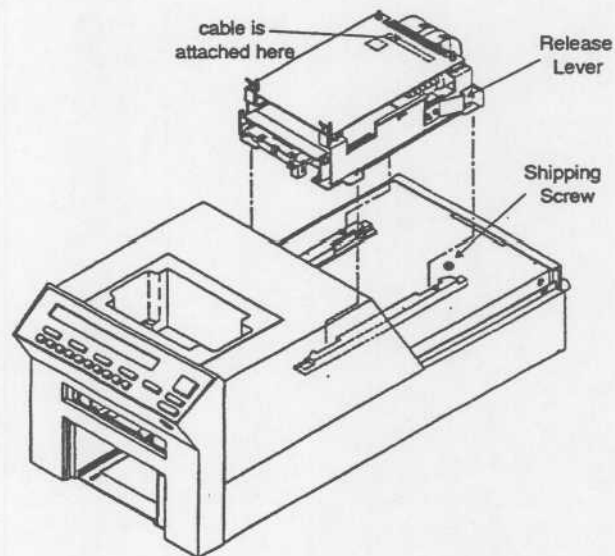


Figure 9.2: 6000ST Copy Drive



9-2: Changing Drives—continued

3. If this is the first time you are removing the drive from your system, there may be a shipping screw in place, as shown in Figure 9.2. Remove the shipping screw with a 10/32" Allen wrench. Save the shipping screw with your other packing materials in case you need to ship the 6000ST.
4. Unplug the 50-pin cable from the edge of the circuit board on top of the Copy Drive (See Figure 9.2).
5. Locate the release lever on the left side of the drive (viewed from the rear). Press the release lever inward, toward the drive. With the lever depressed, the drive should slide easily toward the rear of the unit. Slide the drive back and lift up to remove. If you are keeping this drive, store it in an antistatic bag (you can use the one from the drive you are installing).
6. Remove protective inserts and tie-wraps from the Copy Drive you are installing. Orient the new drive with the diskette opening toward the front of the 6000ST. Lower the drive onto the plastic tracks. Both sides of the drive should be at the same level, resting on the plastic tracks.
7. Slide the drive forward until you feel it lock into place.
8. Attach the cable to the Copy Drive board as shown in Figure 9.2, with no twists in the cable.

WARNING

To avoid damaging the drive, make sure the drive cable is not twisted.

9. Replace the rear cover and turn the power on.



9-2: Changing Drives—continued

The 6000ST is now ready to resume duplication. The system determines the format of the new drive and notes the number of diskettes (if any) which have already been duplicated in the new drive.

