

SUCCESS PLAN

INDUSTRIAL SERIES

Markforged offers optional customer success plans with the purchase of an Industrial Series machine. Success plan customers receive priority service, part replacement, and advanced engineering consultation. Print smarter and more reliably.

YOU'RE COVERED

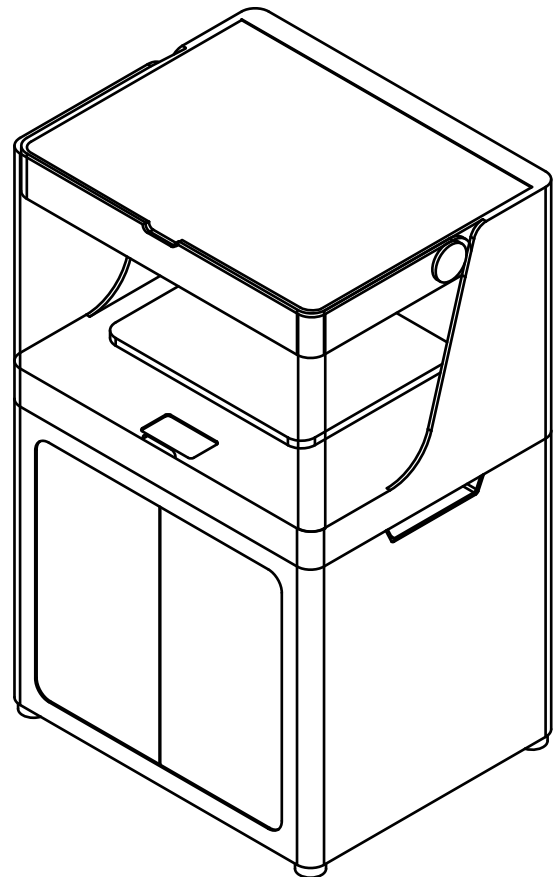
Our customers depend on our machines to create mission critical parts — that's why we design our printers from the ground up for reliability. Sometimes the unexpected happens — when it does, we will get you back to printing fast. If your machine goes down due accidental damage or wear and tear, we'll quickly diagnose your problem, express mail replacement parts, and have a Markforged certified technician install them on-site.

PRINT SMARTER

We want you to get the most out of your printer. That's why all success plans include two hours per year of 1 on 1 consultations with our expert Application Engineers. They'll show you how to design parts for Markforged machines, how to utilize fiber reinforcement efficiently and effectively, and how to save both material and print time. With our help, you'll quickly climb the learning curve.

FLEXIBLE DURATION

Purchase your plan for a full three years or just one. If you decide that your one year plan has value, renew it for another year for the same price you originally purchased it for.



		1 Year	3 Year	1 Year (Renewal)
SUCCESS PLAN COSTS	X3	\$ 3,699 SRP	\$ 9,399 SRP	\$ 3,699 SRP
	X5	\$ 4,999 SRP	\$ 12,999 SRP	\$ 4,999 SRP
	X7	\$ 6,999 SRP	\$ 17,990 SRP	\$ 6,999 SRP

Plan must be purchased within 60 days of product delivery or expiration of success plan. Maximum length is 3 years after purchase.