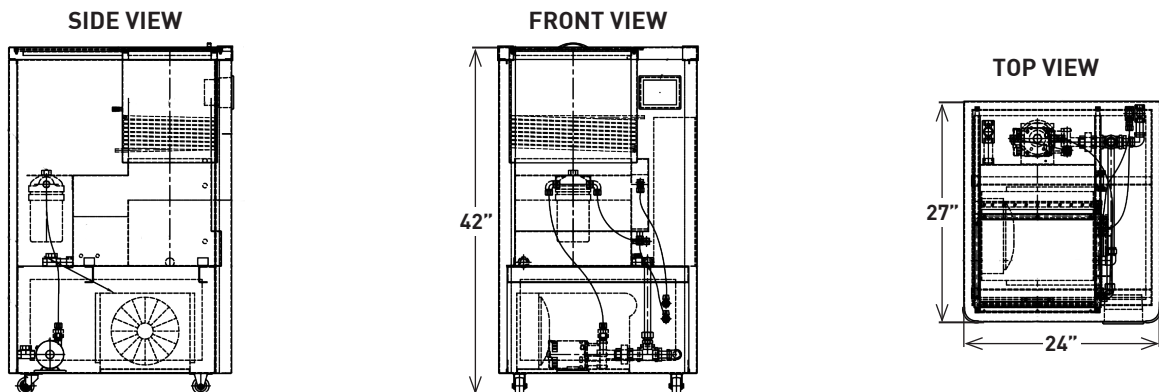


WASH-1 DEBINDER SPECIFICATIONS

The first step in transforming a printed “green” part into fully dense metal is debinding. The Wash-1 immerses the green part in a specialized fluid which removes the primary binding material, leaving the part semi-porous so the remaining binder can easily burn off during sintering. This debinding step purifies the final metal part and helps keep your sintering furnace clean.

DEBINDER PROPERTIES	Materials Supported	All Metals
	Fluid	Opteon Sion
	Controller	Integrated Control System
	Workholding	Stainless Steel Basket
	Washing Size	356 mm x 254 mm x 203 mm (14” x 10” x 8”)
	Washing Volume	18,356 cubic cm (1120 cubic in)
SAFETY & INSTALLATION	Environmental Req.	External Exhaust
	Safety Control	Low Fluid Shutoff Control High Vapor Pressure Shutoff Control
	Regulatory	Refer to MSDS
	Emissions	Low Emission Design to Conserve Solvent
	Power	120/240 VAC Single Phase
PHYSICAL DIMENSIONS	External Dimensions	609 mm x 685 mm x 1067 mm (24” x 27” x 42”)
	Weight	136 kg (300 lbs)

MACHINE COST **\$9,990**



All specifications approximate and subject to change without notice.